

PARTS LIST

[XL-R5010BK]

* All printed circuit boards and its assemblies are not available as service parts.

Area Suffix	
J -----	U.S.A.
C -----	Canada

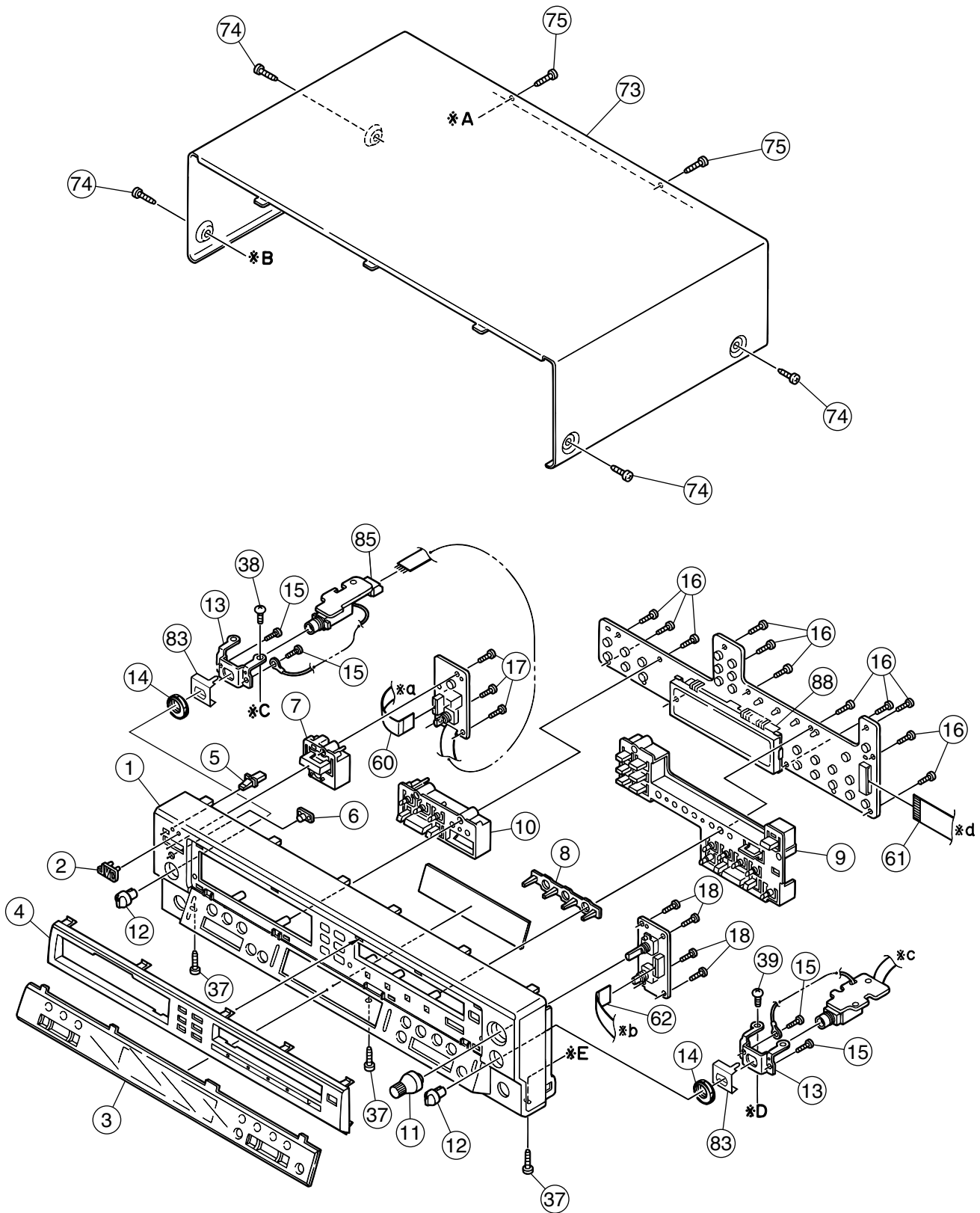
- Contents -

Exploded view of general assembly and parts list	3-2
3CD changer mechanism assembly and parts list	3-6
CD-R/RW Loading mechanism assembly and parts list.....	3-8
Electrical parts list	3-10
Packing materials and accessories parts list	3-18

Exploded view of general assembly and parts list

■ Exploded view of general assembly 1/2

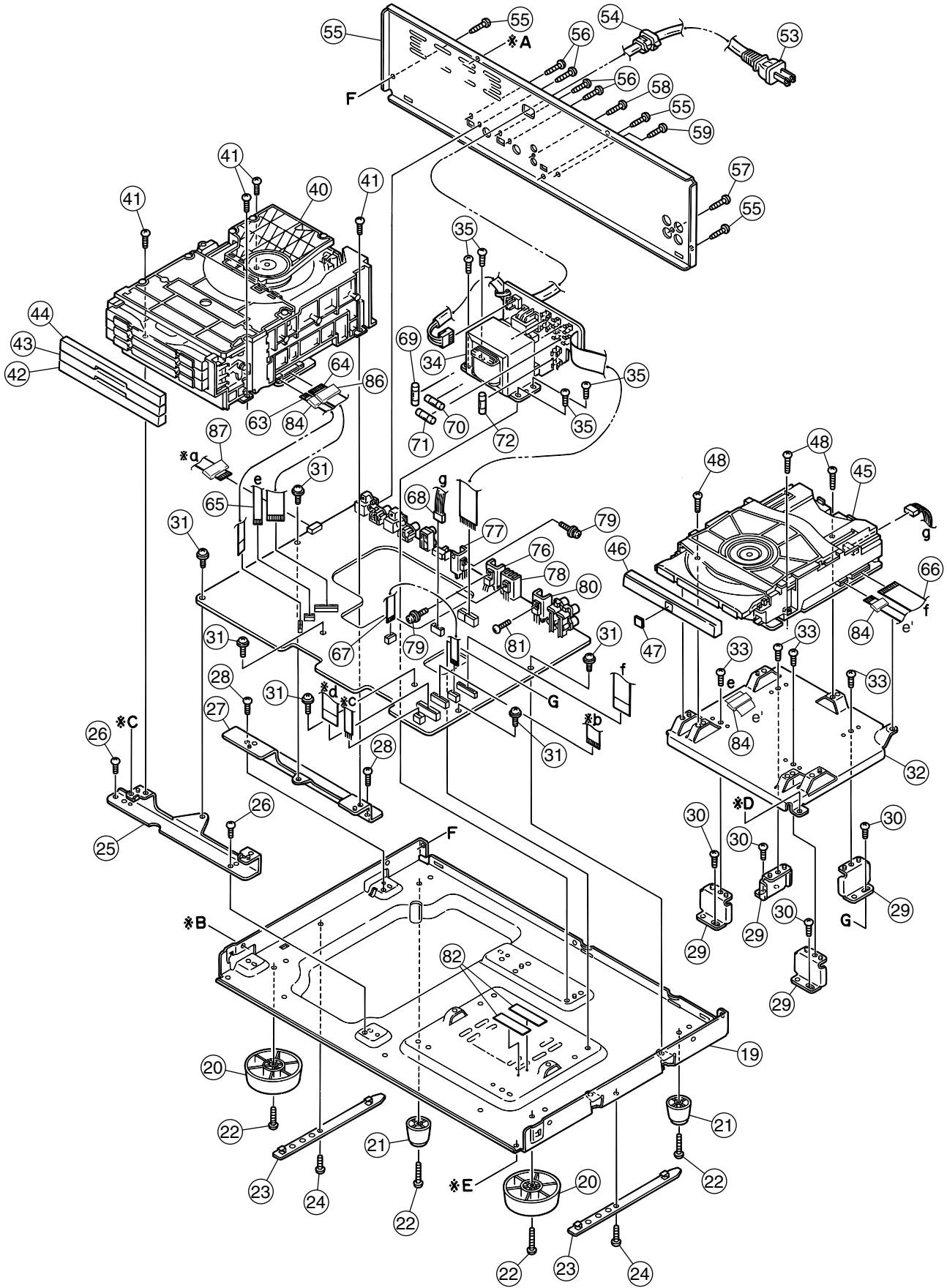
Block No. M 1 M M



Exploded view of general assembly and parts list

■ Exploded view of general assembly 2/2

Block No. M 1 M M



■ Parts list (General assembly) 1/2

Block No. M1MM

△	Item	Parts number	Parts name	Q'ty	Description	Area
	01	LE10247-001A	FRONT PANEL	1		
	02	VJD5429-001SS	JVC MARK	1		
	03	LE20529-002A	WINDOW SCREEN	1		
	04	LE10249-001A	SUB PANEL	1		
	05	LE40746-001A	INDICATOR	1		
	06	E408131-002	REMOTE LENS	1		
	07	LE20533-001A	P.BUTTON	1		
	08	LE30893-001A	INDICATOR	1		
	09	LE10248-001A	P.BUTTON	1		
	10	LE20528-001A	P.BUTTON	1		
	11	LE30894-001A	JOG KNOB	1		
	12	LV40061-001A	KNOB	2		
	13	LE40748-001A	MIC BRACKET	2		
	14	LE40844-001A	NUT	2		
	15	QYSDSF2608Z	SCREW	4		
	16	QYSDSF2608Z	SCREW	11		
	17	QYSDSF2608Z	SCREW	3		
	18	QYSDSF2608Z	SCREW	4		
	19	LV10014-003A	CHASSIS BASE	1		
	20	QZF6019-001	FOOT	2		
	21	E47227-037	FOOT ASS'Y	2		
	22	QYSBST3010Z	T.SCREW	4		
	23	LV31244-002A	SPACER	2		
	24	QYSDSG3008M	SCREW	2		
	25	LE30918-001A	CD BKT(F)	1		
	26	QYSBST3006Z	T.SCREW	2		
	27	LE30919-001A	CD BKT(R)	1		
	28	QYSBST3006Z	T.SCREW	2		
	29	LE40754-001A	CDR BRACKET	4		
	30	QYSBST3006Z	T.SCREW	4		
	31	QYSBSTG3006Z	T.SCREW	6		
	32	LE20531-001A	MECHA BASE	1		
	33	QYSBST3006Z	T.SCREW	4		
△	34	QQT0307-001	POWER TRANS	1		
	35	QYSBST3006Z	T.SCREW	4		
	36	QHX2075-001	WIRE CLAMP	1		
	37	QYSDSG3008M	SCREW	3		
	38	QYSBST3006Z	T.SCREW	1		
	39	QYSBST3006Z	T.SCREW	1		
	40	-----	3CD CAHNGER MEC	1		
	41	QYSBST3006Z	T.SCREW	4		
	42	LE20564-001A	FITTING(1)	1		
	43	LE20565-001A	FITTING(2)	1		
	44	LE20566-001A	FITTING(3)	1		
	45	EMU-R7-1M	CDR UNIT	1		
	46	LE20530-001A	FITTING	1		
	47	LE40763-001A	MARK	1		
	48	QYSBST3010Z	T.SCREW	3		

■ Parts list (General assembly) 2/2

Block No. M1MM

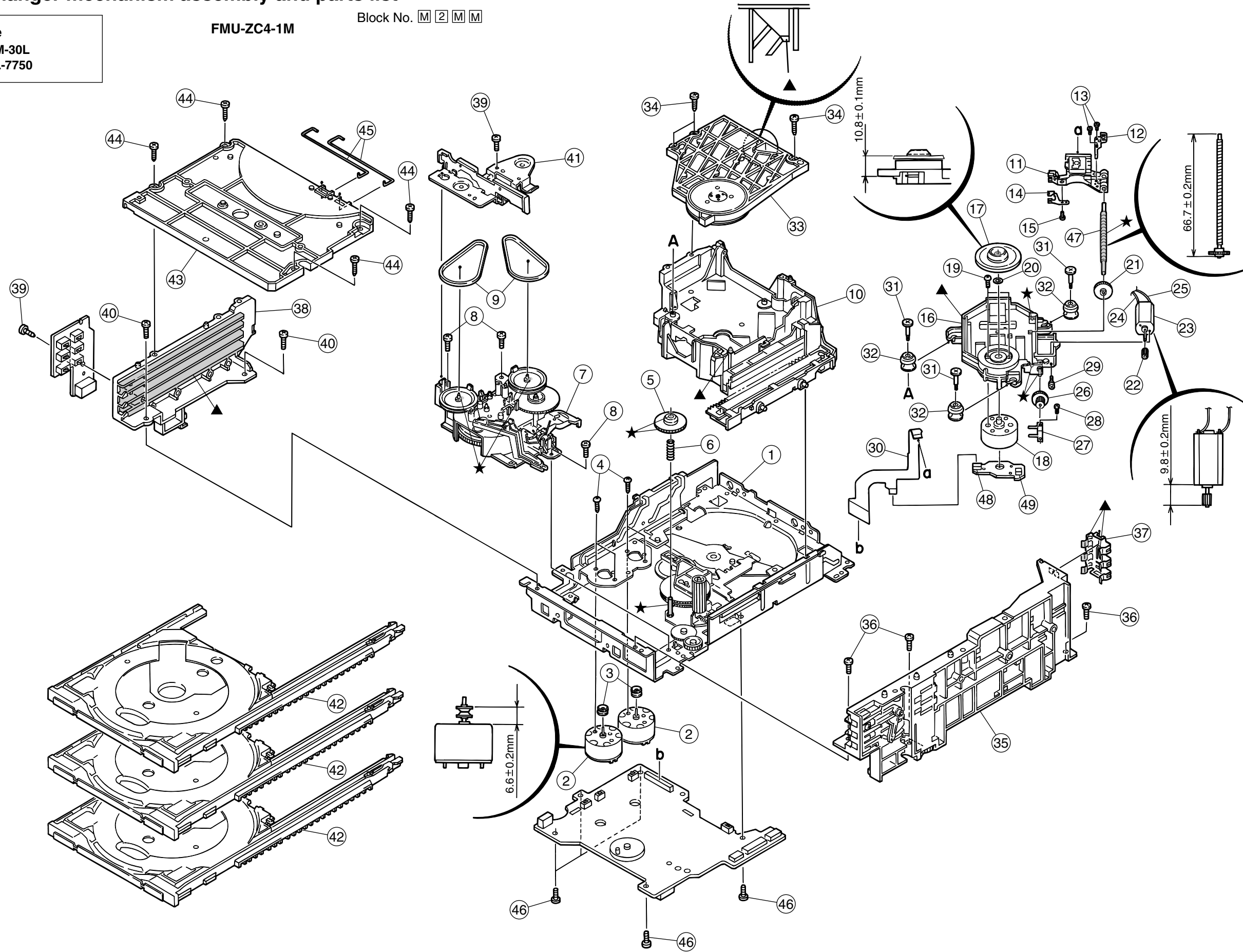
△	Item	Parts number	Parts name	Q'ty	Description	Area
	52	LV20010-023A	REAR PANEL	1		
△	53	QMPD330-200-JD	POWER CORD	1		
	54	QHS4077-108	S.R BUSHING	1		
	55	QYSBSGY3008M	SPECIAL SCREW	3		
	56	QYSBSGY3008M	SPECIAL SCREW	4		
	57	QYSBSGY3008M	SPECIAL SCREW	1		
	58	QYSBSGY3008M	SPECIAL SCREW	1		
	59	QYSBSGY3008M	SPECIAL SCREW	1		
	60	QUQ412-1134CJ	FFC WIRE	1		
	61	QUQ412-1917CJ	FFC WIRE	1		
	62	QUQ412-1318CJ	FFC WIRE	1		
	63	QUQ110-0808AJ	FFC WIRE	1		
	64	QUQ110-1912AJ	FFC WIRE	1		
	65	QUQ110-0828AJ	FFC WIRE	1		
	66	QUQ110-2310AJ	FFC WIRE	1		
	67	QUQ412-0720CJ	FFC WIRE	1		
	68	QJJ015-061001	SIN CR C-C WIRE	1		
△	69	QMF51U1-1R0-J8	FUSE	1	F901	
△	70	QMF51U1-1R0-J8	FUSE	1	F902	
△	71	QMF51U1-2R0-J8	FUSE	1	F903	
△	72	QMF51U1-2R0-J8	FUSE	1	F904	
	73	LV20009-311A/S/	METAL COVER	1		
	74	E406308-003	SPECIAL SCREW	4		
	75	QYSBSGY3008M	SPECIAL SCREW	2		
	76	E70306-002	HEAT SINK	1	IC901,IC902,Q90	
	77	E70306-002	HEAT SINK	1	IC902	
	78	E70945-H60B	HEAT SINK	1	Q907	
	79	QYSBSG3008E	T.SCREW	3		
	80	E70306-002	HEAT SINK	1	IC921	
	81	QYSBSG3008E	T.SCREW	1		
	83	LE40838-001A	EARTH BKT	1		
	84	QQR1254-001	FERRITE CORE	3		
	85	QQR1240-001	FERRITE CORE	1		
	86	QQR1240-002	FERRITE CORE	1		
	87	QQR1255-001	FERRITE CORE	1		
	88	LV31897-001A	FL HOLDER	1		

3CD changer mechanism assembly and parts list

Grease
 ★=EM-30L
 ▲=FL-7750

FMU-ZC4-1M

Block No. M 2 M M



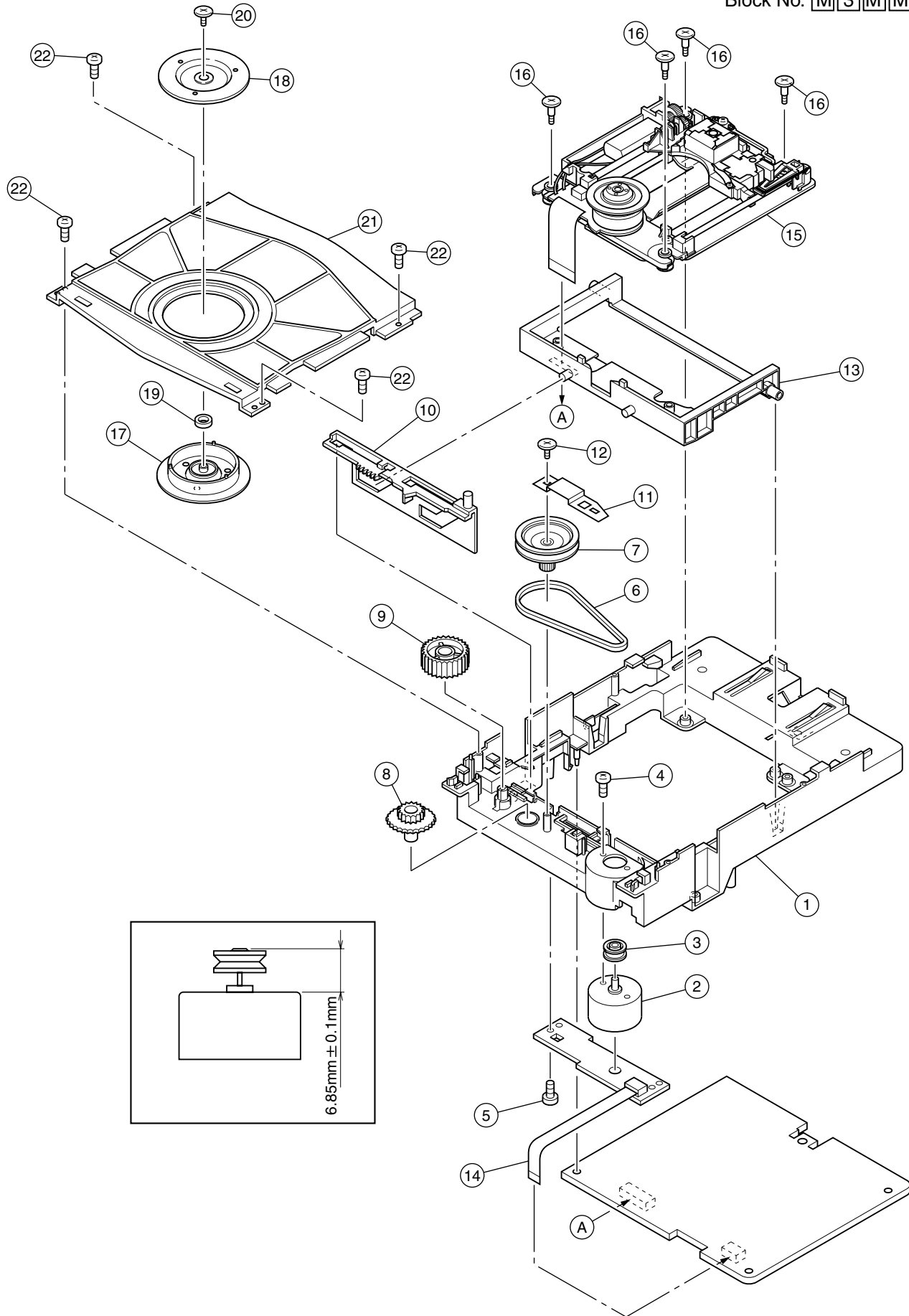
■ Parts list (CD Changer mechanism)

Block No. M2MM

△	Item	Parts number	Parts name	Q'ty	Description	Area
	01	LV20581-001A	CHASSIS UNIT	1		
	02	RF-500TB-12560	MOTOR	2		
	03	VKS5548-001	MOTOR PULLEY	2		
	04	QYSPSP2603Z	SCREW	4		
	05	LV31586-001A	SELECT GEAR	1		
	06	LV41427-001A	SELECT SPRING	1		
	07	LV20588-001A	GEAR BASE UNIT	1		
	08	QYSDST2606Z	SCREW	3		
	09	LV41431-001A	BELT	2		
	10	LV20586-003A	SUB CHAS. UNIT	1		
	11	OPTIMA-725B1	CD PICK UP	1		
	12	LV32013-003A	RACK ARM	1		
	13	QYSPSPT1720M	MINI SCREW	2		
	14	LV31744-001A	P.S.SPRING	1		
	15	QYSPSGT1425M	TAP SCREW	1		
	16	VKS1161-006	T.MECHA CHASSIS	1		
	17	LV31745-001A	TURN TABLE ASSY	1		
	18	QAR0123-001	SPINDLE MOTOR	1		
	19	VKZ4743-001	SPECIAL SCREW	2		
	20	WFM214025	WASHER	1		
	21	VKS5556-001	S.S. GEAR	1		
	22	VKS5557-001	F.M. GEAR	1		
	23	PPN-13KA10C	MOTOR	1		
	24	VWE292-07AZAZ	UL VINYL WIRE	1		
	25	VWE290-08AZAZ	WIRE	1		
	26	VKS5558-001	MIDDLE GEAR	1		
	27	VKM3904-001	SHAFT HOLDER	1		
	28	VKZ4248-204	MINI TAP SCREW	1		
	29	QYSPSPL2004Z	SCREW	1		
	30	LVB30006-002A	FPC	1		
	31	LV41424-001A	SPECIAL SCREW	3		
	32	LV41659-001A	INSULATOR	3		
	33	LV31799-001A	CLAMPER UNIT	1		
	34	QYSBSF2608Z	T.SCREW	3		
	35	LV20594-002A	SIDE(R) UNIT	1		
	36	QYSDST2606Z	SCREW	3		
	37	LV31575-001A	CLICK SPRING	1		
	38	LV10308-001A	SIDE BKT(L)	1		
	39	QYSBSF2608Z	T.SCREW	1		
		QYSBSF2608Z	T.SCREW	1		
	40	QYSDST2606Z	SCREW	2		
	41	LV32067-001A	FLAP BASE UNIT	1		
	42	LV20590-002A	TRAY UNIT	3		
	43	LV10309-001A	TOP COVER	1		
	44	QYSBSF2608Z	T.SCREW	4		
	45	LV41429-002A	ROD	2		
	46	QYSDST2606Z	SCREW	5		
	47	VKZ4781-002	SCREW SHAFT	1		
	48	EMV7169-006R	CONNECTOR	1	CN699	
	49	VSH1173-001	LEAF SWITCH	1	S699	

CD-R/RW Loading mechanism assembly and parts list

Block No. **M****3****M****M**



■ Parts list (CD-R/RW Loading mechanism assembly)

Block No. M3MM

△	Item	Parts number	Parts name	Q'ty	Description	Area
	1	LV10454-006A	LOADING BASE	1		
	2	QAR0164-001	MOTOR	1		
	3	LV42087-001A	MOTOR PULLEY	1		
	4	QYSPSPU1730Z	SCREW	1		
	5	VKZ4777-003	MINI SCREW	1		
	6	LV42209-001A	BELT	1		
	7	LV42084-002A	PULLEYGEAR	1		
	8	LV42085-002A	MIDDLE GEAR	1		
	9	LV42086-001A	IDLE GEAR	1		
	10	LV32514-002A	SLIDE CAM	1		
	11	LV42348-001A	GEAR BRACKET	1		
	12	VKZ4777-003	SCREW	1		
	13	LV20912-002A	ELEVATOR	1		
	14	LV42209-001A	FFC WIRE	1		
	15	-----	CD-R/RW TRAVERSE MECHA.	1		
	16	LV41424-001A	SCREW	4		
	17	LV32417-001A	CLAMPER	1		
	18	LV42089-001A	YOKE	1		
	19	LV41118-003A	MAGNET	1		
	20	LV41741-001A	SPECIAL SCREW	1		
	21	LV20913-002A	CLAMPER BASE	1		
	22	QYSBSF2008Z	SCREW	4		

■ Electrical parts list (Loading motor board)

Block No. 06

△	Item	Parts number	Parts name	Remarks	Area
	CN 1	QGF1016F3-06	CONNECTOR		
	S 1	QSW0910-002	SWITCH		
	S 2	QSW0910-002	SWITCH		

■ Electrical parts list (Main board)

Block No. 01

△	Item	Parts number	Parts name	Remarks	Area
	C 111	QTE1V06-106Z	E CAPACITOR		
	C 112	NFV41HJ-101X	C CAPACITOR		
	C 113	NFV41HJ-101X	C CAPACITOR		
	C 114	QTE1V06-106Z	E CAPACITOR		
	C 115	QFLM1HJ-562Z	M CAPACITOR	5600PF 5% 50V	
	C 151	QETN1HM-475Z	E CAPACITOR	4.7MF 20% 50V	
	C 171	QENC1HM-225Z	NP E.CAPA I/M	2.2MF 20% 50V	
	C 172	QETN1HM-475Z	E CAPACITOR	4.7MF 20% 50V	
	C 181	NCB31HK-222X	C CAPACITOR		
	C 182	QTE1E06-226Z	E CAPACITOR		
	C 201	NCF31CZ-104X	C CAPACITOR	FOR E.PLATE	
	C 211	QTE1V06-106Z	E CAPACITOR		
	C 212	NFV41HJ-101X	C CAPACITOR		
	C 213	NFV41HJ-101X	C CAPACITOR		
	C 214	QTE1V06-106Z	E CAPACITOR		
	C 215	QFLM1HJ-562Z	M CAPACITOR	5600PF 5% 50V	
	C 251	QETN1HM-475Z	E CAPACITOR	4.7MF 20% 50V	
	C 271	QENC1HM-225Z	NP E.CAPA I/M	2.2MF 20% 50V	
	C 272	QETN1HM-475Z	E CAPACITOR	4.7MF 20% 50V	
	C 281	NCB31HK-222X	C CAPACITOR		
	C 282	QTE1E06-226Z	E CAPACITOR		
	C 301	NCF31CZ-104X	C CAPACITOR		
	C 303	NCS31HJ-270X	C CAPACITOR		
	C 311	NCB21HK-104X	C CAPACITOR		
	C 341	QCZ0205-155Z	ML C CAPA I/M	1.5MF	
	C 342	QCZ0205-155Z	ML C CAPA I/M	1.5MF	
	C 351	NCF31CZ-104X	C CAPACITOR		
	C 352	QETN1CM-107Z	E CAPACITOR	100MF 20% 16V	
	C 353	NCF31CZ-104X	C CAPACITOR		
	C 354	NCB21HK-104X	C CAPACITOR		
	C 355	NCS31HJ-101X	C.CAPA. C.M		
	C 356	QETN1EM-476Z	E CAPACITOR	47MF 20% 25V	
	C 357	NCS31HJ-151X	C CAPACITOR		
	C 358	NCB31HK-221X	C CAPACITOR		
	C 359	NCB31EK-223X	C CAPACITOR		
	C 361	QCZ0205-155Z	ML C CAPA I/M	1.5MF	
	C 362	QETN1AM-227Z	E CAPACITOR	220MF 20% 10V	
	C 363	NCF31CZ-224X	C CAPACITOR		
	C 364	NCB31HK-103X	C CAPACITOR		
	C 365	QCZ0205-155Z	ML C CAPA I/M	1.5MF	
	C 366	QETN0JM-108Z	E CAPACITOR	1000MF 20% 6.3V	
	C 368	QCZ0205-155Z	ML C CAPA I/M	1.5MF	
	C 370	NCF31CZ-104X	C CAPACITOR		
	C 371	NCF31CZ-104X	C CAPACITOR		
	C 372	NCS31HJ-330X	C CAPACITOR		
	C 373	NCS31HJ-330X	C CAPACITOR		
	C 375	QCZ0205-155Z	ML C CAPA I/M	1.5MF	
	C 376	QETN0JM-108Z	E CAPACITOR	1000MF 20% 6.3V	
	C 380	QETN0JM-227Z	E CAPACITOR	220MF 20% 6.3V	
	C 381	QCZ0205-155Z	ML C CAPA I/M	1.5MF	
	C 395	NCF31CZ-104X	C CAPACITOR		
	C 502	QETN1HM-475Z	E CAPACITOR	4.7MF 20% 50V	
	C 504	NCB31HK-103X	C CAPACITOR		
	C 507	NCS31HJ-220X	C CAPACITOR		
	C 508	NCS31HJ-220X	C CAPACITOR		
	C 511	NCF31CZ-104X	C CAPACITOR		
	C 512	NCF31CZ-104X	C CAPACITOR		
	C 513	NCF31CZ-104X	C CAPACITOR		
	C 541	NCB31HK-103X	C CAPACITOR	FOR DCS	
	C 610	NCS31HJ-101X	C.CAPA. C.M		
	C 710	NCF31CZ-104X	C CAPACITOR		
	C 801	NCF31CZ-104X	C CAPACITOR		
	C 802	QTE1E28-476Z	E CAPACITOR		
	C 803	NCF31CZ-104X	C CAPACITOR		
	C 804	QTE1E28-476Z	E CAPACITOR		
	C 805	NCF31CZ-104X	C CAPACITOR		

△	Item	Parts number	Parts name	Remarks	Area
	C 811	NCS31HJ-270X	C CAPACITOR		
	C 812	QETN1AM-477Z	E CAPACITOR	470MF 20% 10V	
	C 830	QETN1HM-475Z	E CAPACITOR	4.7MF 20% 50V	
	C 840	QETN1HM-475Z	E CAPACITOR	4.7MF 20% 50V	
	C 871	NCB31HK-103X	C CAPACITOR		
	C 872	QETN1EM-476Z	E CAPACITOR	47MF 20% 25V	
	C 873	NCB31HK-103X	C CAPACITOR		
	C 874	QETN1EM-476Z	E CAPACITOR	47MF 20% 25V	
	C 881	QETN1HM-105Z	E CAPACITOR	1.0MF 20% 50V	
	C 901	QETM1EM-228	E CAPACITOR	2200MF 20% 25V	
	C 902	QETM1EM-108	E CAPACITOR	1000MF 20% 25V	
	C 903	QETN1EM-476Z	E CAPACITOR	47MF 20% 25V	
	C 904	QETN1AM-107Z	E CAPACITOR	100MF 20% 10V	
	C 905	QTE1E28-107Z	E CAPACITOR		
	C 906	QTE1E28-107Z	E CAPACITOR		
	C 907	QETN1HM-225Z	E CAPACITOR	2.2MF 20% 50V	
	C 908	QETM0JM-338	E.CAPACITOR	3300MF 20% 6.3V	
	C 909	QCF31HZ-103Z	C CAPACITOR	.010MF +80:-20%	
	C 910	QCF31HZ-103Z	C CAPACITOR	.010MF +80:-20%	
	C 911	QCF31HZ-103Z	C CAPACITOR	.010MF +80:-20%	
	C 912	QCF31HZ-103Z	C CAPACITOR	.010MF +80:-20%	
	C 913	QCF31HZ-103Z	C CAPACITOR	.010MF +80:-20%	
	C 915	QETN1CM-107Z	E CAPACITOR	100MF 20% 16V	
	C 916	QETN1CM-477Z	E CAPACITOR	470MF 20% 16V	
	C 917	QETM1EM-688	E CAPACITOR	6800MF 20% 25V	
	C 918	QETN0JM-108Z	E CAPACITOR	1000MF 20% 6.3V	
	C 921	QETM1EM-688	E CAPACITOR	6800MF 20% 25V	
	C 922	QCF31HZ-103Z	C CAPACITOR	.010MF +80:-20%	
	C 923	QETN1HM-105Z	E CAPACITOR	1.0MF 20% 50V	
	C 924	QETN0JM-108Z	E CAPACITOR	1000MF 20% 6.3V	
	C 926	QCF31HZ-103Z	C CAPACITOR	.010MF +80:-20%	
	C 927	QCF31HZ-103Z	C CAPACITOR	.010MF +80:-20%	
	C 930	NCB31HK-103X	C CAPACITOR		
	C 931	NCB31HK-103X	C CAPACITOR		
	C 932	QETN1AM-477Z	E CAPACITOR	470MF 20% 10V	
	C 933	QETN0JM-108Z	E CAPACITOR	1000MF 20% 6.3V	
	C 941	QETN1HM-227Z	E CAPACITOR	220MF 20% 50V	
	C 942	QETN1JM-227Z	E CAPACITOR	220MF 20% 63V	
	C 943	QETN1HM-106Z	E CAPACITOR	10MF 20% 50V	
	C 944	QETN1HM-106Z	E CAPACITOR	10MF 20% 50V	
	C 945	QETN1CM-107Z	E CAPACITOR	100MF 20% 16V	
	C 971	QETN1EM-476Z	E CAPACITOR	47MF 20% 25V	
	C 972	QETN1CM-107Z	E CAPACITOR	100MF 20% 16V	
	C 991	QETN1HM-474Z	E CAPACITOR	.47MF 20% 50V	
	C 992	NCB31HK-102X	C CAPACITOR		
	C 993	NCB31HK-102X	C CAPACITOR		
	C1301	QETN1HM-105Z	E CAPACITOR	FOR LEVEL	
	C1303	QETN1HM-105Z	E CAPACITOR	1.0MF 20% 50V	
	C1312	QETN1AM-107Z	E CAPACITOR	FOR LEVEL	
	C1322	QETN1HM-474Z	E CAPACITOR	.47MF 20% 50V	
	C1501	NFV41HJ-332X	M.CAPA.C.M		
	C1502	NFV41HJ-181X	C.CAPA. C.M		
	C1503	NFV41HJ-333X	C.CAPA. C.M		
	C1505	QTE1E06-226Z	E CAPACITOR		
	C1506	NFV41HJ-103X	M.CAPA.C.M		
	C1507	NCB31HK-472X	C CAPACITOR		
	C2301	QETN1HM-105Z	E CAPACITOR	FOR LEVEL	
	C2303	QETN1HM-105Z	E CAPACITOR	1.0MF 20% 50V	
	C2322	QETN1HM-474Z	E CAPACITOR	.47MF 20% 50V	
	C2501	NFV41HJ-332X	M.CAPA.C.M		
	C2502	NFV41HJ-181X	C.CAPA. C.M		
	C2503	NFV41HJ-333X	C.CAPA. C.M		
	C2505	QTE1E06-226Z	E CAPACITOR		
	C2506	NFV41HJ-103X	M.CAPA.C.M		
	C2507	NCB31HK-472X	C CAPACITOR		
	CN 1	QGA7901C1-02	CONNECTOR		

■ Electrical parts list (Main board)

Block No. 01

△	Item	Parts number	Parts name	Remarks	Area	△	Item	Parts number	Parts name	Remarks	Area
	CN501	QGF1205C1-19	CONNECTOR	FRONT PWB			EP701	QNZ0136-001Z	EARTH PLATE		
	CN505	QGF1205C1-06	CONNECTOR	FOR FLASH WRITE			EP801	QNZ0136-001Z	EARTH PLATE	CDR AGND TERMIN	
	CN601	QGD2501C1-04Z	SOCKET	TO MIC JACK PWB			EP802	QNZ0136-001Z	EARTH PLATE		
	CN615	QGF1016C1-19	CONNECTOR	TO CD UNIT			FW901	QUM029-12DGZ3	PARA RIBON WIRE	TRANS-MAIN	
	CN616	QGF1016C1-08	CONNECTOR	D400-v			IC301	TC74HC00AF-X	IC	D.OUT SEL	
	CN711	QGF1205F1-11	CONNECTOR	TO HP VOL PWB			IC302	TC7S08F-W	IC		
	CN721	QGA2001C1-06	6P PLUG ASSY	CDR UNIT POWER			IC311	TC74HC00AF-X	IC		
	CN722	QGF1016C1-23	CONNECTOR	TO CDR GENERAL			IC331	TC74HCU04AF-W	IC	DATA SLICE	
	CN723	QGF1016C1-08	CONNECTOR	TO CDR SREAL			IC361	MN35505-X	IC C M	DAC	
	CN841	QGF1205C1-13	CONNECTOR	TO JOG PWB			IC362	NJM4580M-X	IC	DAC LPF .ZC4	
	CN891	QGF1205C1-07	CONNECTOR				IC363	JCE8001-X	IC		
	CN892	QGF1205C1-07	CONNECTOR				IC364	TC74HCT08AF-X	IC		
	CN901	QGD2501C1-04Z	SOCKET	DENGEN			IC501	UPD784214AGF514	IC(MASK CPU)		
	CN902	QGD2501C1-05Z	SOCKET I.M	DENGEN			IC502	IC-PST600/H/-T	IC	RESET	
	D 301	DA114-X	DIODE				IC811	NJM4580M-X	IC	CD LPF	
	D 302	DA114-X	DIODE				IC821	BU4066BCF-X	IC	LINE OUT SEL	
	D 361	DA114-X	DIODE				IC831	BU4066BCF-X	IC	REC SEL1	
	D 501	DA114-X	DIODE				IC841	BU4066BCF-X	IC	REC SEL2	
	D 502	DA114-X	DIODE				IC851	NJM4580L	IC		
	D 503	DA114-X	DIODE				IC861	BU4066BCF-X	IC	CD DRT SWITCH	
	D 504	DA114-X	DIODE				IC871	BA15218F-XE	IC	LINE IN AMP	
	D 541	DA114-X	DIODE				IC881	NJM4580M-X	IC	LINE OUT BUFFER	
	D 811	DA114-X	DIODE	CD STATUS			IC891	TC9412AF-X	IC		
	D 812	1SR35-400A-T5	DIODE I/M				IC901	BA05ST-V5	I.C.	CDR SW 5V/1A	
△	D 901	1SR35-400A-T5	DIODE I/M			△	IC902	SI-3033C	IC	CDR 3.3V	
△	D 902	1SR35-400A-T5	DIODE I/M			△	IC921	UPC24M05AHF	IC	LOGIC US 5V/0.5	
△	D 903	1SR35-400A-T5	DIODE I/M				J 351	GP1FA550TZ	OPT TRANSMITTER	OPT OUT	
△	D 904	1SR35-400A-T5	DIODE I/M				J 352	GP1FA550RZ	OPT RECEIVER	OPT IN	
	D 905	UDZS5.6B-X	Z DIODE				J 353	QNN0347-001	PIN JACK	COAX OUT	
	D 906	DA114-X	DIODE				J 354	QNN0347-001	PIN JACK	COAX IN	
	D 907	DA114-X	DIODE				J 541	QNS0073-001	JACK	DCS JACK	
	D 908	UDZS10B-X	ZENER DIODE				J 871	QNN0126-001	PIN JACK	LINE JACK	
	D 909	DA114-X	DIODE				K 172	NQR0227-004X	FERRITE BEADS		
	D 910	1SR35-400A-T5	DIODE I/M				K 311	NQR0227-004X	FERRITE BEADS		
	D 911	1SR35-400A-T5	DIODE I/M				K 351	NQR0227-004X	FERRITE BEADS		
	D 912	1SR35-400A-T5	DIODE I/M				K 358	NQR0227-004X	FERRITE BEADS		
	D 913	1SR35-400A-T5	DIODE I/M				K 370	NQR0227-004X	FERRITE BEADS		
	D 914	DA114-X	DIODE				K 371	NQR0227-004X	FERRITE BEADS		
	D 915	DA114-X	DIODE				K 380	NQR0227-004X	FERRITE BEADS	+5V	
△	D 916	UDZS5.6B-X	Z DIODE				K 381	NQR0227-004X	FERRITE BEADS		
△	D 921	1SR35-400A-T5	DIODE I/M				K 382	NQR0227-004X	FERRITE BEADS		
△	D 922	1SR35-400A-T5	DIODE I/M				K 383	NQR0227-004X	FERRITE BEADS		
△	D 923	1SR35-400A-T5	DIODE I/M				K 384	NQR0227-004X	FERRITE BEADS	DAMCLK(ZC4)	
△	D 924	1SR35-400A-T5	DIODE I/M				K 385	NQR0227-004X	FERRITE BEADS		
	D 925	DA114-X	DIODE				K 387	NQR0227-004X	FERRITE BEADS		
	D 927	1SR35-400A-T5	DIODE I/M				K 391	NQR0227-004X	FERRITE BEADS		
△	D 928	UDZS6.2B-X	SI DIODE				K 392	NQR0227-004X	FERRITE BEADS		
	D 930	DA114-X	DIODE				K 393	NQR0227-004X	FERRITE BEADS		
△	D 941	1SR35-400A-T5	DIODE I/M				K 501	NQR0227-004X	FERRITE BEADS	CDR DOUT	
△	D 942	1SR35-400A-T5	DIODE I/M				K 801	QQR0779-001Z	INDUCTOR		
	D 943	UDZS36B-X	Z.DIODE C.M				L 901	QQR0799-001	INDUCTOR		
	D 944	DA114-X	DIODE				Q 181	2SC2001/LK/-T	TRANSISTOR	L.OUT MUTING	
	D 945	UDZS5.6B-X	Z DIODE				Q 182	2SC2001/LK/-T	TRANSISTOR	HP MUTE	
	D 954	1SR35-400A-T5	DIODE I/M				Q 183	2SC2001/LK/-T	TRANSISTOR	L.IN GAIN SWITC	
	D 955	1SR35-400A-T5	DIODE I/M				Q 191	KRA103M-T	TRANSISTOR *		
△	D 971	1SR35-400A-T5	DIODE I/M				Q 281	2SC2001/LK/-T	TRANSISTOR	L.OUT MUTING	
	D 972	UDZS5.6B-X	Z DIODE				Q 282	2SC2001/LK/-T	TRANSISTOR	HP MUTE	
	D 981	DA114-X	DIODE				Q 283	2SC2001/LK/-T	TRANSISTOR	L.IN GAIN SWITC	
	D 982	DA114-X	DIODE				Q 301	KRC103M-T	TR I/M		
	D 991	DA114-X	DIODE				Q 501	DTC114ESA-T	DIGITAL.TR TAPE		
	D 992	DA114-X	DIODE				Q 541	KRA103M-T	TRANSISTOR *		
	D1301	DA114-X	DIODE	FOR LEVEL			Q 542	KTC3199/GL/-T	TRANSISTOR		
	D2301	DA114-X	DIODE	FOR LEVEL			Q 821	KRA103M-T	TRANSISTOR *		
	EP201	QNZ0136-001Z	EARTH PLATE				Q 822	KRC103M-T	TR I/M		
	EP501	QNZ0136-001Z	EARTH PLATE				Q 831	KRA103M-T	TRANSISTOR *		
	EP541	E409182-001SM	GRAND TERMINAL	FOR DCS JACK			Q 832	KRA103M-T	TRANSISTOR *		

■ Electrical parts list (Main board)

Block No. 01

△	Item	Parts number	Parts name	Remarks	Area
	Q 841	KRA103M-T	TRANSISTOR *		
	Q 842	KRA103M-T	TRANSISTOR *		
	Q 861	KRA103M-T	TRANSISTOR *		
	Q 862	KRC103M-T	TR I/M		
	Q 881	2SA933AS/RS/-T	TRANSISTOR		
△	Q 901	2SC3422/OY/	TRANSISTOR		
	Q 902	KTC3199/GL/-T	TRANSISTOR		
	Q 903	2SK301/QR/-T	TRANSISTOR(FET)		
	Q 904	2SA933AS/RS/-T	TRANSISTOR		
△	Q 905	2SA1359/OY/	TRANSISTOR		
	Q 906	2SK301/QR/-T	TRANSISTOR(FET)		
△	Q 907	2SD1266/P/	TRANSISTOR		
	Q 908	KTC3199/GL/-T	TRANSISTOR		
△	Q 941	2SB647/CD/-T	TRANSISTOR		
△	Q 971	2SC3422/OY/	TRANSISTOR		
	Q 981	KRC103M-T	TR I/M		
	Q 982	KRC103M-T	TR I/M		
	Q1301	KRC103M-T	TR I/M		
	Q2301	KRC103M-T	TR I/M		
	R 111	NRSA63J-223X	MG RESISTOR		
	R 112	NRSA02F-223X	RES. C.M		
	R 113	NRSA02F-223X	RES. C.M		
	R 114	NRSA02F-222X	MG RESISTOR		
	R 115	NRSA02F-152X	MG RESISTOR		
	R 116	NRSA63J-473X	MG RESISTOR		
	R 117	NRSA02F-152X	MG RESISTOR		
	R 131	NRSA63J-473X	MG RESISTOR		
	R 132	NRSA02J-123X	MG RESISTOR		
	R 141	NRSA02J-122X	MG RESISTOR		
	R 142	NRSA02J-102X	MG RESISTOR		
	R 151	NRSA63J-0R0X	MG RESISTOR		
	R 171	NRSA63J-393X	MG RESISTOR		
	R 172	NRSA63J-224X	MG RESISTOR		
	R 173	NRSA02J-154X	MG RESISTOR		
	R 174	NRSA63J-222X	MG RESISTOR		
	R 175	NRSA63J-273X	MG RESISTOR		
	R 176	NRSA02J-103X	MG RESISTOR		
	R 177	NRSA63J-0R0X	MG RESISTOR		
	R 181	NRSA02J-474X	MG RESISTOR		
	R 182	NRSA02J-471X	MG RESISTOR		
	R 183	NRSA63J-222X	MG RESISTOR		
	R 184	NRSA02J-221X	MG RESISTOR		
	R 185	NRSA02J-102X	MG RESISTOR		
	R 186	NRSA63J-472X	MG RESISTOR		
	R 211	NRSA63J-223X	MG RESISTOR		
	R 212	NRSA02F-223X	RES. C.M		
	R 213	NRSA02F-223X	RES. C.M		
	R 214	NRSA02F-222X	MG RESISTOR		
	R 215	NRSA02F-152X	MG RESISTOR		
	R 216	NRSA63J-473X	MG RESISTOR		
	R 217	NRSA02F-152X	MG RESISTOR		
	R 231	NRSA63J-473X	MG RESISTOR		
	R 232	NRSA02J-123X	MG RESISTOR		
	R 241	NRSA02J-122X	MG RESISTOR		
	R 242	NRSA02J-102X	MG RESISTOR		
	R 251	NRSA63J-0R0X	MG RESISTOR		
	R 271	NRSA63J-393X	MG RESISTOR		
	R 272	NRSA63J-224X	MG RESISTOR		
	R 273	NRSA02J-154X	MG RESISTOR		
	R 274	NRSA63J-222X	MG RESISTOR		
	R 275	NRSA63J-273X	MG RESISTOR		
	R 276	NRSA02J-103X	MG RESISTOR		
	R 277	NRSA63J-0R0X	MG RESISTOR		
	R 281	NRSA02J-474X	MG RESISTOR		
	R 282	NRSA02J-471X	MG RESISTOR		
	R 283	NRSA63J-222X	MG RESISTOR		

△	Item	Parts number	Parts name	Remarks	Area
	R 284	NRSA02J-221X	MG RESISTOR		
	R 285	NRSA02J-102X	MG RESISTOR		
	R 286	NRSA63J-472X	MG RESISTOR		
	R 301	NRSA02J-101X	MG RESISTOR		
	R 302	NRSA02J-101X	MG RESISTOR		
	R 303	NRSA02J-181X	MG RESISTOR		
	R 305	NRSA02J-101X	MG RESISTOR		
	R 307	NRSA02J-750X	MG RESISTOR	DIN3	
	R 308	NRSA02J-151X	MG RESISTOR		
	R 309	NRSA02J-270X	MG RESISTOR		
	R 311	NRSA63J-332X	MG RESISTOR		
	R 312	NRSA63J-332X	MG RESISTOR		
	R 315	NRSA02J-331X	MG RESISTOR		
	R 361	NRSA63J-332X	MG RESISTOR		
	R 362	NRSA02J-102X	MG RESISTOR		
	R 365	NRSA63J-273X	MG RESISTOR		
	R 367	NRSA02J-270X	MG RESISTOR		
	R 368	NRSA02J-101X	MG RESISTOR		
	R 369	NRSA02J-101X	MG RESISTOR		
	R 370	NRSA02J-101X	MG RESISTOR		
	R 371	NRSA02J-270X	MG RESISTOR		
	R 380	NRSA02J-106X	MG RESISTOR		
	R 381	NRSA02J-101X	MG RESISTOR		
	R 382	NRSA63J-0R0X	MG RESISTOR		
	R 383	NRSA02J-181X	MG RESISTOR		
	R 384	NRSA02J-100X	MG RESISTOR		
	R 385	NRSA02J-270X	MG RESISTOR		
	R 386	NRSA02J-331X	MG RESISTOR		
	R 501	NRS144J-331X	RES. C.M		
	R 502	NRSA02J-104X	MG RESISTOR		
	R 503	NRSA63J-223X	MG RESISTOR		
	R 504	NRSA02J-102X	MG RESISTOR		
	R 506	NRSA63J-473X	MG RESISTOR		
	R 508	NRSA63J-223X	MG RESISTOR		
	R 509	NRSA02J-104X	MG RESISTOR		
	R 510	NRSA02J-104X	MG RESISTOR		
	R 511	NRSA02J-102X	MG RESISTOR		
	R 512	NRSA02J-102X	MG RESISTOR		
	R 513	NRSA02J-151X	MG RESISTOR		
	R 514	NRSA02J-102X	MG RESISTOR		
	R 515	NRSA02J-102X	MG RESISTOR		
	R 519	NRSA02J-102X	MG RESISTOR		
	R 520	NRSA02J-102X	MG RESISTOR		
	R 521	NRSA02J-102X	MG RESISTOR		
	R 522	NRSA02J-102X	MG RESISTOR		
	R 523	NRSA63J-472X	MG RESISTOR		
	R 526	NRS181J-473X	MG RESISTOR		
	R 527	NRS181J-822X	MG RESISTOR		
	R 528	NRS181J-822X	MG RESISTOR		
	R 529	NRS181J-822X	MG RESISTOR		
	R 530	NRSA63J-822X	MG RESISTOR		
	R 531	NRSA63J-822X	MG RESISTOR		
	R 532	NRSA63J-472X	MG RESISTOR		
	R 533	NRSA63J-473X	MG RESISTOR		
	R 534	NRSA63J-473X	MG RESISTOR		
	R 535	NRSA63J-473X	MG RESISTOR		
	R 536	NRSA63J-473X	MG RESISTOR		
	R 539	NRSA63J-473X	MG RESISTOR		
	R 540	NRSA63J-473X	MG RESISTOR		
	R 541	NRSA63J-223X	MG RESISTOR		
	R 542	NRSA63J-473X	MG RESISTOR		
	R 543	NRSA63J-223X	MG RESISTOR		
	R 544	NRSA02J-221X	MG RESISTOR		
	R 545	NRSA63J-223X	MG RESISTOR		
	R 549	NRSA02J-101X	MG RESISTOR		
	R 551	NRSA63J-472X	MG RESISTOR		

■ Electrical parts list (Main board)

Block No. 01

△	Item	Parts number	Parts name	Remarks	Area
	R 555	NRSA63J-473X	MG RESISTOR	JOG-A PULL UP	
	R 556	NRSA63J-473X	MG RESISTOR	JOG-B PULL UP	
	R 557	NRS181J-473X	MG RESISTOR	STATUS PULL UP	
	R 558	NRSA02J-103X	MG RESISTOR		
	R 559	NRSA02J-103X	MG RESISTOR		
	R 561	NRSA02J-471X	MG RESISTOR		
	R 562	NRSA02J-102X	MG RESISTOR		
	R 563	NRSA02J-101X	MG RESISTOR		
	R 564	NRSA02J-471X	MG RESISTOR		
	R 565	NRSA02J-471X	MG RESISTOR		
	R 566	NRSA02J-101X	MG RESISTOR		
	R 567	NRSA02J-102X	MG RESISTOR		
	R 568	NRSA02J-101X	MG RESISTOR		
	R 569	NRSA02J-101X	MG RESISTOR		
	R 570	NRSA02J-101X	MG RESISTOR		
	R 571	NRSA02J-101X	MG RESISTOR		
	R 572	NRSA02J-101X	MG RESISTOR		
	R 573	NRSA02J-101X	MG RESISTOR		
	R 574	NRSA02J-101X	MG RESISTOR		
	R 599	NRSA63J-0R0X	MG RESISTOR		
	R 801	NRS144J-221X	RES. C.M		
	R 802	NRS144J-221X	RES. C.M		
	R 803	NRS144J-221X	RES. C.M		
	R 804	NRS144J-221X	RES. C.M		
	R 809	NRSA63J-472X	MG RESISTOR		
	R 810	NRS144J-221X	RES. C.M		
	R 811	NRSA63J-223X	MG RESISTOR		
	R 812	NRSA63J-0R0X	MG RESISTOR		
	R 821	NRS144J-471X	RES. C.M		
	R 822	NRSA02J-103X	MG RESISTOR		
	R 823	NRSA63J-473X	MG RESISTOR		
	R 831	NRSA63J-222X	MG RESISTOR		
	R 832	NRSA02J-103X	MG RESISTOR		
	R 833	NRSA63J-473X	MG RESISTOR		
	R 834	NRSA63J-473X	MG RESISTOR		
	R 841	NRSA02J-222X	MG RESISTOR		
	R 842	NRSA02J-103X	MG RESISTOR		
	R 843	NRSA63J-473X	MG RESISTOR		
	R 844	NRSA63J-473X	MG RESISTOR		
	R 850	NRSA63J-473X	MG RESISTOR		
	R 860	NRSA63J-473X	MG RESISTOR		
	R 861	NRS144J-471X	RES. C.M		
	R 862	NRSA02J-103X	MG RESISTOR		
	R 863	NRSA63J-473X	MG RESISTOR		
	R 864	NRSA63J-473X	MG RESISTOR		
	R 881	NRSA02J-103X	MG RESISTOR		
	R 882	NRSA63J-223X	MG RESISTOR		
	R 883	NRSA02J-101X	MG RESISTOR		
△	R 901	QRZ9006-4R7X	F RESISTOR	4.7 1/0W	
	R 902	NRSA02J-222X	MG RESISTOR		
	R 903	NRSA02J-622X	MG RESISTOR		
	R 904	NRSA02J-472X	MG RESISTOR		
△	R 905	QRZ9006-4R7X	F RESISTOR	4.7 1/0W	
	R 906	NRSA02J-472X	MG RESISTOR		
	R 908	NRSA02J-392X	MG RESISTOR		
	R 911	NRSA02J-181X	MG RESISTOR		
	R 921	NRSA02J-222X	MG RESISTOR		
	R 925	NRS144J-471X	RES. C.M		
	R 926	NRS144J-471X	RES. C.M		
	R 941	NRS144J-472X	RES. C.M		
△	R 942	QRJ146J-4R7X	UNF C.RES I/M	4.7 5% 1/4W	
	R 943	NRSA02J-333X	MG RESISTOR		
	R 971	NRS144J-821X	RES. C.M		
	R 981	NRSA02J-101X	MG RESISTOR		
	R 982	NRSA02J-100X	MG RESISTOR		
	R 991	NRSA02J-103X	MG RESISTOR		

△	Item	Parts number	Parts name	Remarks	Area
	R 992	NRSA02J-103X	MG RESISTOR		
	R1301	NRSA02J-152X	MG RESISTOR	FOR LEVEL	
	R1302	NRSA02J-153X	MG RESISTOR	FOR LEVEL	
	R1303	NRSA63J-224X	MG RESISTOR	FOR LEVEL	
	R1304	NRSA63J-682X	MG RESISTOR		
	R1305	NRSA63J-273X	MG RESISTOR		
	R1306	NRSA63J-823X	MG RESISTOR		
	R1307	NRSA02J-153X	MG RESISTOR		
	R1312	NRSA02J-681X	MG RESISTOR	FOR LEVEL	
	R1313	NRSA02J-153X	MG RESISTOR	FOR LEVEL	
	R1501	NRSA02F-183X	RES. C.M		
	R1502	NRSA02F-183X	RES. C.M		
	R1503	NRSA02F-183X	RES. C.M		
	R1504	NRSA02F-222X	MG RESISTOR		
	R1505	NRSA63J-332X	MG RESISTOR		
	R1506	NRSA63J-332X	MG RESISTOR		
	R1507	NRSA63J-332X	MG RESISTOR		
	R1510	NRSA02F-561X	RES. C.M		
	R1511	NRSA63J-273X	MG RESISTOR		
	R1512	NRSA63J-273X	MG RESISTOR		
	R2301	NRSA02J-152X	MG RESISTOR	FOR LEVEL	
	R2302	NRSA02J-153X	MG RESISTOR	FOR LEVEL	
	R2303	NRSA63J-224X	MG RESISTOR	FOR LEVEL	
	R2304	NRSA63J-682X	MG RESISTOR		
	R2305	NRSA63J-273X	MG RESISTOR		
	R2306	NRSA63J-823X	MG RESISTOR		
	R2307	NRSA02J-153X	MG RESISTOR		
	R2501	NRSA02F-183X	RES. C.M		
	R2502	NRSA02F-183X	RES. C.M		
	R2503	NRSA02F-183X	RES. C.M		
	R2504	NRSA02F-222X	MG RESISTOR		
	R2505	NRSA63J-332X	MG RESISTOR		
	R2506	NRSA63J-332X	MG RESISTOR		
	R2507	NRSA63J-332X	MG RESISTOR		
	R2510	NRSA02F-561X	RES. C.M		
	R2511	NRSA63J-273X	MG RESISTOR		
	R2512	NRSA63J-273X	MG RESISTOR		
	R5010	NRSA63J-272X	MG RESISTOR		
	S 531	QSW0871-001	SLIDE SW	TAPE/CDR	
	T 301	QQR1185-001	PULSE TRANS		
	X 501	QAX0356-001Z	RESONATOR	10MHZ EFO-EC100	
	X 502	QAX0401-001	CRYSTAL	CPU SUB CLK	
	Z 91	QNG0019-001Z	FUSE CLIP		
	Z 92	QNG0019-001Z	FUSE CLIP		
	Z 93	QNG0019-001Z	FUSE CLIP		
	Z 94	QNG0019-001Z	FUSE CLIP		
	Z 95	QNG0019-001Z	FUSE CLIP		
	Z 96	QNG0019-001Z	FUSE CLIP		
	Z 97	QNG0019-001Z	FUSE CLIP		
	Z 98	QNG0019-001Z	FUSE CLIP		

■ Electrical parts list (Front board)

Block No. 02

△	Item	Parts number	Parts name	Remarks	Area
	C 701	NCB31HK-103X	C CAPACITOR		
	C 702	QER61AM-107Z	E CAPACITOR	100MF 20% 10V	
	C 703	NCB31HK-681X	C CAPACITOR		
	C 722	NCF31CZ-104X	C CAPACITOR		
	C 723	QER61CM-476Z	E CAPACITOR	47MF 20% 16V	
	C 724	NCF31CZ-104X	C CAPACITOR		
	C 725	QER61CM-476Z	E CAPACITOR	47MF 20% 16V	
	C 741	NCB31HK-103X	C CAPACITOR		
	C 743	QER61AM-107Z	E CAPACITOR	100MF 20% 10V	
	C 749	NCS31HJ-101X	C.CAPA. C.M		
	C1401	QER61HM-475Z	E CAPACITOR	4.7MF 20% 50V	
	C2401	QER61HM-475Z	E CAPACITOR	4.7MF 20% 50V	
	C6001	NCB31HK-222X	C CAPACITOR		
	C6002	QENC1HM-105Z	NP E.CAPACITOR	1.0MF 20% 50V	
	C6003	NCB31HK-331X	C CAPACITOR		
	C6005	QER61HM-475Z	E CAPACITOR	4.7MF 20% 50V	
	C6008	NCB31HK-103X	C CAPACITOR		
	C6009	NCB31HK-103X	C CAPACITOR		
	C6012	QCF31HZ-223Z	C CAPACITOR	.022MF +80:-20%	
	C6101	NCF31CZ-104X	C CAPACITOR		
	C6102	QETN1EM-476Z	E CAPACITOR	47MF 20% 25V	
	C6103	NCF31CZ-104X	C CAPACITOR		
	C6104	QER61CM-476Z	E CAPACITOR	47MF 20% 16V	
	CN541	QGF1205F1-19	CONNECTOR	FRONT - MAIN	
	CN701	QGF1205C1-11	CONNECTOR	H.P. - MAIN	
	CN801	QGF1205C1-13	CONNECTOR	JOG PWB TO MAIN	
	D 701	SLR-342VC-T	LED	STANBY	
	D 726	DA114-X	DIODE		
	D 727	DA114-X	DIODE		
	D 728	DA114-X	DIODE		
	D 729	DA114-X	DIODE		
	D 755	SLR-342VC-T	LED	DIGITAL	
	D 756	SLR-342VC-T	LED	S-CD	
	D 757	SLR-342VC-T	LED	S-LINE	
	D 758	SLR-342VC-T	LED	S-MIC	
	DI721	QLF0088-001	FL TUBE		
	FW601	QUM024-08DGZ3	PARA RIBON WIRE	MIC +-10V - MAI	
	FW701	QUM025-13DGZ3	PARA RIBON WIRE	TO FW711	
	IC601	NJM4580M-X	IC	MIC AMP	
	IC701	GP1U271X	RM RECIVER		
	IC721	M66004SP	FL DRIVER IC		
	IC722	BA15218F-XE	IC	MIX AMP	
	J6001	QNS0091-001	JACK	MIC JACK	
	JS721	QSW0446-001	R ENCODER	JOG	
	Q 701	KRC103M-T	TR I/M	FOR POWER LED	
	Q 724	KRA103M-T	TRANSISTOR *		
	Q 726	KTC3199/GL/-T	TRANSISTOR	FOR 1G	
	Q 727	KTC3199/GL/-T	TRANSISTOR	FOR 15G	
	Q 728	KTC3199/GL/-T	TRANSISTOR	FOR 16G	
	Q 729	KRA103M-T	TRANSISTOR *		
	Q 730	KRA103M-T	TRANSISTOR *		
	Q1401	KTC3199/GL/-T	TRANSISTOR	MIX VR SW	
	Q2401	KTC3199/GL/-T	TRANSISTOR	MIX VR SW	
	R 701	NRSA02J-102X	MG RESISTOR		
	R 702	NRSA02J-102X	MG RESISTOR		
	R 703	NRSA02J-122X	MG RESISTOR		
	R 704	NRSA02J-182X	MG RESISTOR		
	R 705	NRSA63J-272X	MG RESISTOR		
	R 706	NRSA63J-332X	MG RESISTOR		
	R 707	NRSA63J-562X	MG RESISTOR		
	R 711	NRSA02J-331X	MG RESISTOR	FOR STANBY LED	
	R 721	NRSA02J-102X	MG RESISTOR		
	R 722	NRSA02J-102X	MG RESISTOR		
	R 723	NRSA02J-122X	MG RESISTOR		
	R 724	NRSA02J-182X	MG RESISTOR		
	R 725	NRSA63J-272X	MG RESISTOR		

△	Item	Parts number	Parts name	Remarks	Area
	R 726	NRSA63J-332X	MG RESISTOR		
	R 736	NRSA63J-333X	MG RESISTOR		
	R 737	NRSA63J-333X	MG RESISTOR		
	R 738	NRSA63J-333X	MG RESISTOR		
	R 739	NRSA63J-333X	MG RESISTOR		
	R 740	NRSA63J-333X	MG RESISTOR		
	R 741	NRSA63J-333X	MG RESISTOR		
	R 749	NRSA63J-223X	MG RESISTOR		
	R 751	NRSA02J-102X	MG RESISTOR		
	R 752	NRSA02J-102X	MG RESISTOR		
	R 753	NRSA02J-122X	MG RESISTOR		
	R 754	NRSA02J-182X	MG RESISTOR		
	R 755	NRSA63J-272X	MG RESISTOR		
	R 760	NRSA02J-102X	MG RESISTOR		
	R 761	NRSA02J-102X	MG RESISTOR		
	R 785	NRSA02J-331X	MG RESISTOR	FOR DIGITAL LED	
	R 786	NRSA02J-331X	MG RESISTOR	FOR S-CD LED	
	R 787	NRSA02J-331X	MG RESISTOR	FOR S-LINE LED	
	R 788	NRSA02J-331X	MG RESISTOR	FOR S-MIC LED	
	R1401	NRSA63J-223X	MG RESISTOR		
	R1402	NRSA63J-223X	MG RESISTOR		
	R1403	NRSA02J-103X	MG RESISTOR		
	R1404	NRSA63J-823X	MG RESISTOR		
	R2401	NRSA63J-223X	MG RESISTOR		
	R2402	NRSA63J-223X	MG RESISTOR		
	R2403	NRSA02J-103X	MG RESISTOR		
	R2404	NRSA63J-823X	MG RESISTOR		
	R6001	NRSA02J-221X	MG RESISTOR		
	R6002	NRSA02J-103X	MG RESISTOR		
	R6003	NRSA02J-103X	MG RESISTOR		
	R6004	NRSA02J-221X	MG RESISTOR		
	R6005	NRSA02J-123X	MG RESISTOR		
	R6006	NRSA02J-103X	MG RESISTOR		
	R6010	NRSA63J-0R0X	MG RESISTOR		
	R6020	NRSA63J-0R0X	MG RESISTOR		
	R6101	NRS144J-681X	RES. C.M		
	R6102	NRS144J-681X	RES. C.M		
	R6103	NRS144J-681X	RES. C.M		
	R6104	NRS144J-681X	RES. C.M		
	S 701	QSW0683-001Z	PUSH SWITCH	POWER	
	S 702	QSW0683-001Z	PUSH SWITCH	STOP	
	S 703	QSW0683-001Z	PUSH SWITCH	PLAY MODE	
	S 704	QSW0683-001Z	PUSH SWITCH	PAUSE	
	S 705	QSW0683-001Z	PUSH SWITCH	CD EDIT	
	S 706	QSW0683-001Z	PUSH SWITCH	PLAY	
	S 707	QSW0683-001Z	PUSH SWITCH	CANCEL	
	S 708	QSW0683-001Z	PUSH SWITCH	SET	
	S 710	QSW0683-001Z	PUSH SWITCH	CD REC	
	S 721	QSW0683-001Z	PUSH SWITCH	STOP	
	S 722	QSW0683-001Z	PUSH SWITCH	PAUSE	
	S 723	QSW0683-001Z	PUSH SWITCH	PLAY	
	S 724	QSW0683-001Z	PUSH SWITCH	REC/REC MUTE	
	S 725	QSW0683-001Z	PUSH SWITCH	DIG.SYNC	
	S 726	QSW0683-001Z	PUSH SWITCH	MENU	
	S 751	QSW0683-001Z	PUSH SWITCH	OPEN/CLOSE3	
	S 752	QSW0683-001Z	PUSH SWITCH	OPEN/CLOSE2	
	S 753	QSW0683-001Z	PUSH SWITCH	OPEN/CLOSE1	
	S 754	QSW0683-001Z	PUSH SWITCH	DISC3	
	S 755	QSW0683-001Z	PUSH SWITCH	DISC2	
	S 756	QSW0683-001Z	PUSH SWITCH	DISC1	
	S 760	QSW0683-001Z	PUSH SWITCH	EJECT	
	S 761	QSW0683-001Z	PUSH SWITCH	FINALIZE	
	S 762	QSW0683-001Z	PUSH SWITCH	REC SOURCE SELE	
	VR641	QVQ0115-W15	V RESISTOR	MIX VOL	
	VR701	QVQ0301-A14	V RESISTOR	H.P.VOL	
	W6000	QUB220-09HPDM	SIN TWIST WIRE		

■ Electrical parts list (Headphone amplifire board) Block No. 03

△	Item	Parts number	Parts name	Remarks	Area
	C1201	NCS31HJ-101X	C.CAPA. C.M		
	C1202	NCB31HK-103X	C CAPACITOR		
	C1203	NCB31HK-103X	C CAPACITOR		
	C2201	NCS31HJ-101X	C.CAPA. C.M		
	C2202	NCB31HK-103X	C CAPACITOR		
	C2203	NCB31HK-103X	C CAPACITOR		
	C6201	NCF31CZ-104X	C CAPACITOR		
	C6202	QETN1CM-107Z	E CAPACITOR	100MF 20% 16V	
	C6203	NCF31CZ-104X	C CAPACITOR		
	C6204	QETN1CM-107Z	E CAPACITOR	100MF 20% 16V	
	C6209	NCB31HK-103X	C CAPACITOR		
	C6210	NCF31CZ-473X	C CAPACITOR		
	CN401	QGD2503F1-05	SOCKET	H.P - H.P JACK	
	IC621	BA15218F-XE	IC	HP AMP	
	J6201	QNS0031-001	JACK	HP JACK	
	K1201	NQR0227-004X	FERRITE BEADS		
	K2201	NQR0227-004X	FERRITE BEADS		
	K6202	QQR1261-001	TOROIDAL COIL		
	R1201	NRSA63J-103X	MG RESISTOR		
	R1202	NRSA63J-104X	MG RESISTOR		
	R1204	NRSA63J-562X	MG RESISTOR		
	R1205	NRSA02J-680X	MG RESISTOR		
	R1206	NRSA02J-820X	MG RESISTOR		
	R2201	NRSA63J-103X	MG RESISTOR		
	R2202	NRSA63J-104X	MG RESISTOR		
	R2204	NRSA63J-562X	MG RESISTOR		
	R2205	NRSA02J-680X	MG RESISTOR		
	R2206	NRSA02J-820X	MG RESISTOR		
	W1200	QUB220-22HPDM	SIN TWIST WIRE		
	W1220	QUB220-05HPDM	SIN TWIST WIRE		

■ Electrical parts list (Changer mecha. control board)

Block No.04

△	Item	Parts number	Parts name	Remarks	Area
	C 250	NCB31CK-104X	C CAPACITOR	E2P VDD-VSS	
	C 253	NCB31CK-104X	C CAPACITOR	VDD-VSS	
	C 254	QERF0JM-476Z	E CAPACITOR	VDD-VSS	
	C 291	NCB21CK-105X	C CAPACITOR	+5V-D.GND	
	C 292	NCB21CK-105X	C CAPACITOR		
	C 601	NCB31HK-102X	C CAPACITOR	PU E	
	C 602	NCB31HK-102X	C CAPACITOR	PU F	
	C 603	NCB31HK-223X	C CAPACITOR	TBAL	
	C 604	NCB31HK-223X	C CAPACITOR	FBAL	
	C 605	NCS31HJ-271X	C CAPACITOR	FE	
	C 606	NCS31HJ-820X	C CAPACITOR	TE	
	C 610	NCB31CK-563X	C CAPACITOR	RFENV	
	C 611	NCB31CK-104X	C CAPACITOR	RF	
	C 612	QERF1HM-104Z	E CAPACITOR	CAGC	
	C 614	NCB31CK-393X	C CAPACITOR	CEA	
	C 615	NCB31HK-272X	C CAPACITOR	CBDO	
	C 616	NCB31HK-681X	C CAPACITOR	COFTR	
	C 617	NCB31HK-331X	C CAPACITOR	OFT-D.GND	
	C 621	NCB31CK-104X	C CAPACITOR	VREF-D.GND	
	C 622	QERF1AM-107Z	E CAPACITOR	VREF-D.GND	
	C 623	NCF31AZ-105X	C CAPACITOR	VCC-D.GND	
	C 624	QERF1AM-107Z	E CAPACITOR	VCC-D.GND	
	C 625	NCB31CK-104X	C CAPACITOR	VREF-D.GND	
	C 631	QERF1CM-106Z	E CAPACITOR	APC +5V-BASE	
	C 632	NCF31AZ-105X	C CAPACITOR	APC +5V-D.GND	
	C 633	NCB31HK-223X	C CAPACITOR	PU K-VREF	
	C 641	NCS31HJ-150X	C CAPACITOR	EQ X1X2	
	C 642	NCS31HJ-220X	C CAPACITOR	EQ X1	
	C 643	NCS31HJ-6R0X	C CAPACITOR		
	C 651	NCS31HJ-1R0X	C.CAPA. C.M	X1	
	C 652	NCS31HJ-1R0X	C.CAPA. C.M	X2	
	C 653	NCB31AK-334X	C.CAPA. C.M	RST-VSS	
	C 655	NCB31CK-104X	C CAPACITOR	DVDD1-DVSS1	
	C 656	NCB11EK-104X	C.CAPA. C.M	VDD-VSS	
	C 657	QERF1AM-227Z	E CAPACITOR	DVDD1-DVSS1	
	C 658	NCB31CK-104X	C CAPACITOR	A.GND-D.GND	
	C 659	NCB31CK-473X	C CAPACITOR		
	C 661	NCS31HJ-471X	C CAPACITOR	ARF	
	C 663	NCB31HK-223X	C CAPACITOR	ARF	
	C 664	NCB31HK-223X	C CAPACITOR	IREF	
	C 665	NCB31AK-154X	C CAPACITOR	PLLF	
	C 667	NCB31AK-474X	C CAPACITOR	VCOF	
	C 669	QERF1AM-227Z	E CAPACITOR	VDD-VSS	
	C 673	QERF1AM-227Z	E CAPACITOR	AVDD1-AVSS1	
	C 676	NCB31CK-104X	C CAPACITOR	OFT	
	C 677	NCB31CK-104X	C CAPACITOR	AVDD1-AVSS1	
	C 679	QERF1AM-107Z	E CAPACITOR	AVDD2-AVSS2	
	C 680	NCB31CK-104X	C CAPACITOR	AVDD2-AVSS2	
	C 691	NCS31HJ-102X	C CAPACITOR	OUTL	
	C 692	NCS31HJ-102X	C CAPACITOR	OUTR	
	C 693	NCB31HK-272X	C CAPACITOR	OUTL	
	C 694	NCB31HK-272X	C CAPACITOR	OUTR	
	C 695	NCB31CK-104X	C CAPACITOR	VCC4.3V-GND	
	C 801	NCB31HK-223X	C CAPACITOR	VG3	
	C 802	NCS31HJ-102X	C CAPACITOR	TRD	
	C 811	NCS31HJ-391X	C CAPACITOR	FOCUS	
	C 812	NCS31HJ-391X	C CAPACITOR	SPINDLE	
	C 813	NCS31HJ-391X	C CAPACITOR	FEED	
	C 814	NCS31HJ-391X	C CAPACITOR	TRACKING	
	C 815	NCB21AK-105X	C CAPACITOR	TRD	
	C 816	NCB20JK-155X	C.CAPA. C.M	FOD	
	C 821	NCF31AZ-105X	C CAPACITOR	VCC-M.GND	
	C 822	QERF1AM-227Z	E CAPACITOR	VCC-M.GND	
	C 851	QERF1CM-106Z	E CAPACITOR	VCC-M.GND	

△	Item	Parts number	Parts name	Remarks	Area
	C 852	NCB31HK-103X	C CAPACITOR		
	C 853	NCB31HK-103X	C CAPACITOR		
	C 855	NCB31CK-104X	C CAPACITOR	VCC-M.GND	
	C 859	NCF31AZ-105X	C CAPACITOR	CAM MOTOR	
	C 860	NCF31AZ-105X	C CAPACITOR	ACTU MOTOR	
	CN601	QGF1016C1-21	CONNECTOR	TRAVERSE	
	CN606	QGF1016F3-08	CONNECTOR	4T I/F	
	CN608	QGF1016F3-04	CONNECTOR	CD-TEXT	
	CN610	QGB1214J1-08S	CONNECTOR	TO SW CB(CN620)	
	CN651	QGF1016F3-19	CONNECTOR	MAIN	
	D 251	MA112-X	DIODE		
	D 631	1SS355-X	DIODE C.M		
	D 667	MA152WA-X	DIODE		
	D 801	1SR154-400-X	DIODE		
	D 852	UDZS5.6B-X	Z DIODE	VZ	
	IC201	BR24C01AFV-W-X	IC	E2PROM	
	IC251	UPD780076GK502	IC	MICOM	
	IC291	XC62HR3502P-X	IC		
	IC601	AN22000A-W	I.C C.M	RF AMP	
	IC651	MN662790RSC	IC	DSP & DAC	
	IC801	LA6541-X	IC	PU DRIVE	
	IC851	LB1641	IC	ACTU MOTOR DRIV	
	IC852	LB1641	IC	CAM MOTOR DRIVE	
	K 655	NQR0007-002X	FERRITE BEADS	TX	
	K 656	NQR0251-004X	FERRITE BEADS	SRDATA	
	K 657	NQR0251-004X	FERRITE BEADS	LRCK	
	K 658	NQR0251-004X	FERRITE BEADS	BCLK	
	Q 601	DTC114EUA-X	TRANSISTOR	EQX2	
	Q 602	DTC114EUA-X	TRANSISTOR	EQX4	
	Q 631	2SA1037AK/RS/-X	TRANSISTOR	APC	
	Q 673	DTA114EUA-X	DIGITAL TR	IREF CHANGE	
	R 201	NRSA63J-103X	MG RESISTOR	SDA PULL UP	
	R 251	NRSA63J-102X	MG RESISTOR	MCLK	
	R 252	NRSA63J-102X	MG RESISTOR	MDATA	
	R 253	NRSA63J-102X	MG RESISTOR	MLD	
	R 254	NRSA63J-102X	MG RESISTOR	/DMUTE	
	R 255	NRSA63J-102X	MG RESISTOR	MCS	
	R 256	NRSA63J-102X	MG RESISTOR	MRDY	
	R 257	NRSA63J-102X	MG RESISTOR	SQCK	
	R 258	NRSA63J-102X	MG RESISTOR	KCMND	
	R 259	NRSA63J-102X	MG RESISTOR	MSTAT	
	R 260	NRSA63J-102X	MG RESISTOR	KCLK	
	R 261	NRSA63J-0R0X	MG RESISTOR		
	R 270	NRSA63J-223X	MG RESISTOR	TRY1 CLOSE	
	R 271	NRSA63J-223X	MG RESISTOR	TRY1OP PULL-UP	
	R 272	NRSA63J-223X	MG RESISTOR	TRY2OP PULL-UP	
	R 273	NRSA63J-223X	MG RESISTOR	TRY2 CLOSE	
	R 274	NRSA63J-223X	MG RESISTOR	TRY3OP PULL-UP	
	R 275	NRSA63J-223X	MG RESISTOR	TRY3 CLOSE	
	R 277	NRSA63J-103X	MG RESISTOR		
	R 278	NRSA63J-102X	MG RESISTOR	CAM CCW	
	R 279	NRSA63J-102X	MG RESISTOR	CAM CW	
	R 280	NRSA63J-102X	MG RESISTOR	ACTU CCW	
	R 281	NRSA63J-102X	MG RESISTOR	ACTU CW	
	R 283	NRSA63J-102X	MG RESISTOR	CDEMF	
	R 284	NRSA63J-102X	MG RESISTOR	CDCOPY	
	R 285	NRSA63J-102X	MG RESISTOR	CDTNO	
	R 286	NRSA63J-102X	MG RESISTOR		
	R 288	NRSA63J-103X	MG RESISTOR	CDTNO PULL UP	
	R 291	NRSA63J-1R0X	MG RESISTOR		
	R 292	NRSA63J-1R0X	MG RESISTOR		
	R 293	NRSA63J-103X	MG RESISTOR	/REST PULL UP	
	R 294	NRSA63J-103X	MG RESISTOR	IC PULL DOWN	
	R 295	NRSA63J-103X	MG RESISTOR		

■ Electrical parts list (Changer mecha. control board) Block No. 04

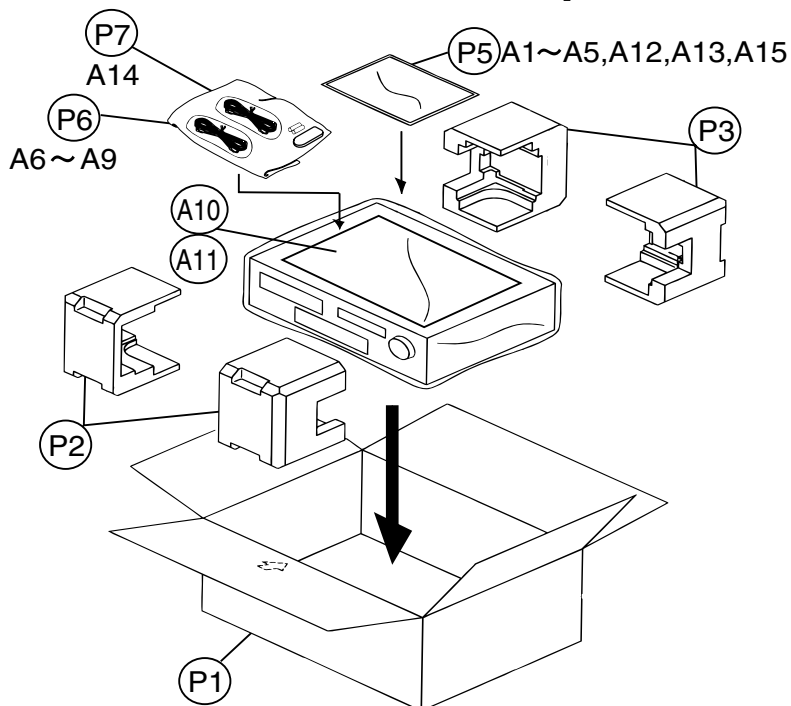
■ Electrical parts list (Changer mecha. switch board) Block No. 05

△	Item	Parts number	Parts name	Remarks	Area
	R 601	NRSA63J-224X	MG RESISTOR	TBAL	
	R 602	NRSA63J-823X	MG RESISTOR	FBAL	
	R 603	NRSA63J-393X	MG RESISTOR	FE	
	R 605	NRSA63J-224X	MG RESISTOR	TE	
	R 607	NRSA63J-473X	MG RESISTOR	PDE	
	R 608	NRSA63J-473X	MG RESISTOR	PDF	
	R 611	NRSA63J-562X	MG RESISTOR	RF	
	R 613	NRSA63J-562X	MG RESISTOR	RF	
	R 614	NRSA63J-0R0X	MG RESISTOR	ARF	
	R 617	NRSA63J-332X	MG RESISTOR		
	R 631	NRSA02J-2R2X	MG RESISTOR	+5V DE-COUPLE	
	R 632	NRSA02J-3R9X	MG RESISTOR	APC EMITTER	
	R 634	NRSA02J-3R9X	MG RESISTOR	APC COLECTOR	
	R 635	NRSA63J-100X	MG RESISTOR	PU K	
	R 636	NRSA63J-151X	MG RESISTOR	PU LD	
	R 651	NRSA63J-102X	MG RESISTOR	LSI RESET	
	R 652	NRSA63J-102X	MG RESISTOR	STATAS	
	R 653	NRSA63J-102X	MG RESISTOR	SUBQ	
	R 654	NRSA63J-102X	MG RESISTOR	BLKCK	
	R 656	NRSA63J-102X	MG RESISTOR	DQSY	
	R 657	NRSA63J-101X	MG RESISTOR	SBCK	
	R 658	NRSA63J-102X	MG RESISTOR	SUBC	
	R 659	NRSA63J-473X	MG RESISTOR	LD ON	
	R 661	NRSA63J-203X	MG RESISTOR	LDON	
	R 662	NRSA63J-683X	MG RESISTOR	ARFF	
	R 663	NRSA63J-683X	MG RESISTOR	IREF	
	R 664	NRSA63J-331X	MG RESISTOR	PLLF	
	R 665	NRSA63J-101X	MG RESISTOR	X2	
	R 666	NRSA02J-101X	MG RESISTOR	AVDD1 DE-COUPLE	
	R 667	NRSA02J-4R7X	MG RESISTOR	AVDD2 DE-COUPLE	
	R 668	NRSA63J-155X	MG RESISTOR		
	R 669	NRSA63J-562X	MG RESISTOR	VCOF	
	R 670	NRSA02J-101X	MG RESISTOR	VDD DE-COUPLE	
	R 671	NRSA63J-684X	MG RESISTOR	DSLB-DSLF	
	R 673	NRSA63J-683X	MG RESISTOR	IREF CHANGE	
	R 682	NRSA63J-102X	MG RESISTOR	TE	
	R 683	NRSA63J-105X	MG RESISTOR	TRSRC	
	R 685	NRSA63J-683X	MG RESISTOR	DRF	
	R 691	NRSA63J-681X	MG RESISTOR	OUTL	
	R 692	NRSA63J-681X	MG RESISTOR	OUTR	
	R 695	NRSA63J-561X	MG RESISTOR	OUTL	
	R 696	NRSA63J-561X	MG RESISTOR	OUTR	
	R 701	NRSA63J-102X	MG RESISTOR	DEMPH	
	R 801	NRSA63J-272X	MG RESISTOR	VG3	
	R 802	NRSA63J-152X	MG RESISTOR	FOD	
	R 803	NRSA63J-472X	MG RESISTOR	TRD	
	R 804	NRSA63J-103X	MG RESISTOR	TRD	
	R 805	NRSA63J-562X	MG RESISTOR	TVD	
	R 808	NRSA63J-183X	MG RESISTOR	ECM	
	R 809	NRSA63J-152X	MG RESISTOR	ECS	
	R 811	NRSA63J-473X	MG RESISTOR	/DRMUTE	
	R 812	NRSA63J-152X	MG RESISTOR	TRD	
	R 813	NRSA63J-182X	MG RESISTOR	FOD	
	SW680	QSW0865-001	CAM SWITCH	CAM SW	
	SW690	QSW0886-002	DETECT SWITCH	P.POSI1	
	SW691	QSW0886-002	DETECT SWITCH	P.POSI2	
	SW692	QSW0886-002	DETECT SWITCH	P.POSI3	
	SW693	QSW0886-002	DETECT SWITCH	SUB.TRY OP/CL	
	X 251	QAX0684-001Z	C RESONATOR	FOR IC251 8.38M	
	X 651	QAX0599-001Z	CRYSTAL	FOR IC651	

△	Item	Parts number	Parts name	Remarks	Area
	CN620	QGB1214K1-08S	CONNECTOR		
	SW 1	QSW0844-001	PUSH SWITCH		
	SW 2	QSW0844-001	PUSH SWITCH		
	SW 3	QSW0844-001	PUSH SWITCH		
	SW 4	QSW0844-001	PUSH SWITCH		
	SW 5	QSW0844-001	PUSH SWITCH		
	SW 6	QSW0844-001	PUSH SWITCH		

Packing materials and accessories parts list

Block No. M4MM
Block No. M5MM



■ Packing parts list

Block No. M4MM

Item	Parts number	Parts name	Q'ty	Description	Area
P 1	LE20556-004A	P.CASE	1		
P 2	LE20554-001A	P.PAD(F)	1		
P 3	LE20555-001A	P.PAD(R)	1		
P 4	QPC06506515P	POLY BAG	1		
P 5	QPC02503510P	POLY BAG	1		
P 6	QPA01502505	ENVELOPE	1		
P 7	QPA01202505	POLY BAG	1		

■ Accessories parts list

Block No. M5MM

Item	Parts number	Parts name	Q'ty	Description	Area
A 01	LET0181-002A	INST BOOK	1		C
	LET0181-001C	INST BOOK	1		J
A 02	BT-52004-2	WARRANTY CARD	1		C
	BT-51001-5	J=W.CARD	1		J
A 03	BT-20071B	JVC CENTER LIST	1		C
A 04	BT-51028-1	J=REGIST CAR	1		J
A 05	YU20333	SAFETY INST.	1		
A 06	EWP805-014	1P PLUG CORD(JE	1		
A 07	VMP0088-001JW	PIN CORD	1		
A 08	RM-SXLR5010A	REMOCON UNIT	1		
A 09	-----	BATTERY	2		
A 10	LV32110-001A	CAUTION SHEET	1		
A 11	LV42668-001B	CAUTION SHEET	1		
A 12	LE40827-001A	CAUTION SHEET	1		
A 13	LE40834-001A	CAUTION SHEET	1		
A 14	QQR1256-001	FERRITE CORE	1		
A 15	LE40848-003A	CAUTION SHEET	1		C
	LE40848-002A	CAUTION SHEET	1		J